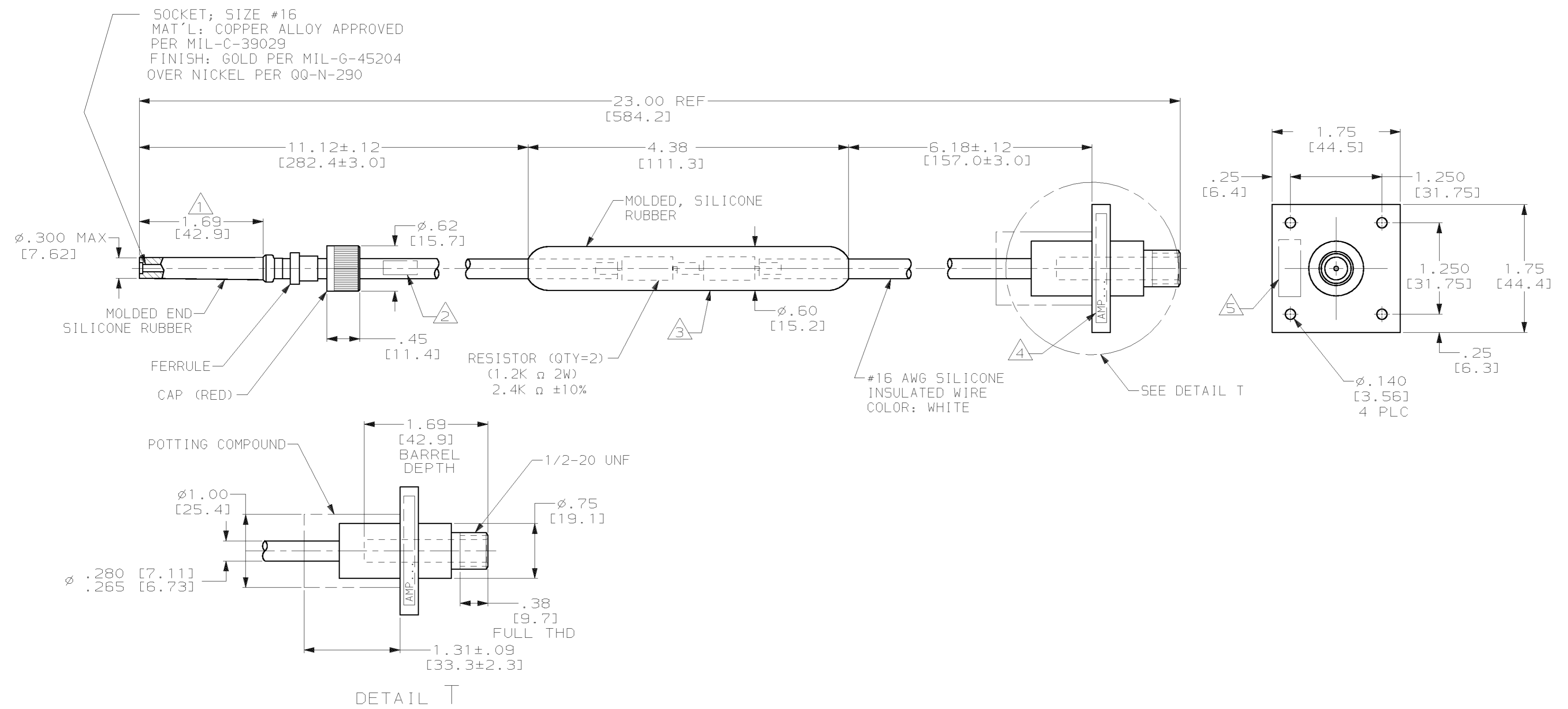


THIS DRAWING IS UNPUBLISHED. RELEASED FOR PUBLICATION .19  
 © COPYRIGHT 19 BY AMP INCORPORATED. ALL RIGHTS RESERVED.

LOC	DIST	REVISIONS			
P	LTR	DESCRIPTION	DATE	DWN	APVD
DF	SO	J	REV & REDRAWN; 0600-7210-98	2-99	CT DE



- 1 TO MATE WITH AMP LGH-1L RECEPTACLE WITH 1.69 [42.9] BARREL DEPTH.
- 2 CUSTOMER MARKING (PER TABLE) IN AREA SHOWN PER MIL-STD-130.
- 3 CUSTOMER PART NO. (PER TABLE) AND DATE CODE MARKED IN THIS APPROX AREA PER MIL-STD-130.
- 4 MARKED ON FLANGE, AMP AND AMP PART NO. PER MIL-STD-130.
- 5 CUSTOMER MARKING (PER TABLE) IN AREA SHOWN PER MIL-STD-130.
- 6. PULL TEST: A 20 lb PULLING FORCE SHALL BE APPLIED BETWEEN THE LEAD WIRE AND THE MOLDED CENTER SECTION (RESISTOR MOLD).

J01 (W9-P01)	6133513-1	P01 (PS1-J02)	864203-1
CUSTOMER MARKING	CUSTOMER MARKING	CUSTOMER MARKING	PART NUMBER

THIS DRAWING IS A CONTROLLED DOCUMENT.		DWN C.C. THOMAS 2-11-99	AMP Incorporated Harrisburg, PA 17105-3608	
DIMENSIONS: INCHES [mm]		CHK D.EABY 2-11-99	NAME MOLDED END, RESISTOR LEAD ASSY, POSITIVE STOP, LGH-1L	
TOLERANCES UNLESS OTHERWISE SPECIFIED:		APVD D.EABY 2-11-99	SIZE A2 CAGE CODE 00779 DRAWING NO C-864203	
0 PLC ±-		PRODUCT SPEC -	RESTRICTED TO -	
1 PLC ±-		APPLICATION SPEC -	SCALE 1:1 SHEET 1 OF 1 REV J	
2 PLC ±.02 [0.5]		WEIGHT -		
3 PLC ±.005 [0.13]		CUSTOMER DRAWING		
4 PLC ±-				
ANGLES ±-				
FINISH -				